



ACROBAT 3" LED DOWNLIGHT SHALLOW PLENUM

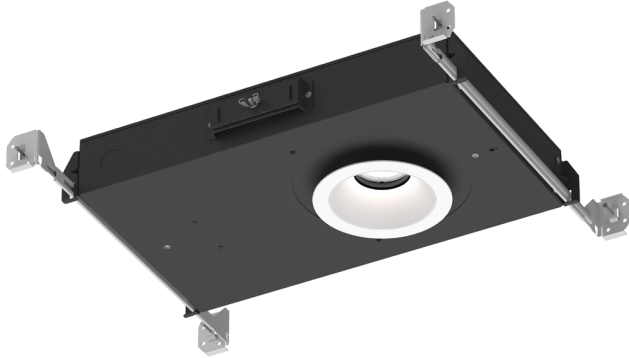
PROJECT: _____

TYPE: _____

NOTE: _____

SPEC-00276 ACROBAT 2.0, 3" SP, V-1.3, UPDATED 10/14/2022

A3-SIC, A3-SNC



ACROBAT PERFORMANCE AND PRECISION

A3-S - Shallow Plenum

Up to 2305 Delivered Lumens

Multiple Dimming Drivers Available

LED LIGHT ENGINE

RATED WATTAGE	10W, 15W, 20W, 25W
DELIVERED LUMENS	Up to 2305 lm @ 4000K-25W-30°Optic
EFFICACY	Up to 100.2 LPW @ 4000K-10W-30°Optic
CCT @ 90CRI	2700K, 3000K, 3500K, 4000K, Warm Dim
COLOR QUALITY	90+ CRI, 2-Step SDCM
LED LIFETIME	55,000 hours @ L90

DELIVERED LUMENS MATRIX

		10° Optic	30° Optic	50° Optic	80° Optic
10 Watt	2700K (90CRI)	861 lm	949 lm	859 lm	726 lm
	3000K (90CRI)	914 lm	1007 lm	912 lm	770 lm
	3500K (90CRI)	958 lm	1055 lm	956 lm	808 lm
	4000K (90CRI)	994 lm	1094 lm	992 lm	838 lm
	Warm Dim	556 lm	685 lm	619 lm	468 lm
15 Watt	2700K (90CRI)	1275 lm	1404 lm	1272 lm	1074 lm
	3000K (90CRI)	1353 lm	1490 lm	1350 lm	1140 lm
	3500K (90CRI)	1418 lm	1562 lm	1415 lm	1195 lm
	4000K (90CRI)	1471 lm	1620 lm	1467 lm	1240 lm
	Warm Dim	854 lm	1051 lm	950 lm	718 lm
20 Watt	2700K (90CRI)	1534 lm	1689 lm	1530 lm	1293 lm
	3000K (90CRI)	1628 lm	1793 lm	1624 lm	1372 lm
	3500K (90CRI)	1706 lm	1879 lm	1702 lm	1438 lm
	4000K (90CRI)	1770 lm	1949 lm	1766 lm	1491 lm
	Warm Dim	1039 lm	1279 lm	1156 lm	874 lm
25 Watt	2700K (90CRI)	1814 lm	1998 lm	1810 lm	1529 lm
	3000K (90CRI)	1925 lm	2120 lm	1921 lm	1623 lm
	3500K (90CRI)	2018 lm	2223 lm	2014 lm	1701 lm
	4000K (90CRI)	2093 lm	2305 lm	2088 lm	1764 lm
	Warm Dim	1230 lm	1515 lm	1369 lm	1035 lm

SILENT VU™ OPTICS TECHNOLOGY

OPTICS	10°, 30°, 50°, 80° available
MEDIA	Clear, Solite, Frosted, Linear Spread, Hex Louver

POWER SUPPLY

INPUT VOLTAGE	120-277V, 50/60Hz
DIMMING	Multiple dimming drivers available
SERVICEABILITY	Below Ceiling Access

TRIM OPTIONS

- Round or Square
- Standard or Trimless
- Pinhole, Slot Pinhole
- Wall Wash
- Wet Location

TRIM COLORS

- White
- Black
- Custom Color
- Champagne
- Satin Aluminum

REFLECTOR COLORS

- White
- Black
- Clear Alzak
- Champagne
- Satin Aluminum
- Custom Color

HOUSING INSTALLATION

- New Construction includes (2) galvanized steel adjustable hanger bars
- 5/8" – 2" ceiling thickness
- Min Plenum Height: 2½" Shallow
- Ceiling Material: Drywall, T-bar grid, Wood and Millwork
- Steel junction box with up to (6) ½" knockouts
- SIC models are Air Tight
- SIC models are CCEA (Chicago Plenum)
(Note: polycell spray-in foam insulation must be kept 3" from housing)

LISTINGS AND WARRANTY

cULus Listed for 40°C Ambient	ASTM E283 Certified Airtight for IC Rated Housings
UL Listed for Damp Location	UL Listed for Wet Location (Wet Location Trim Style)
IC Rated and Non IC Rated Available	CCEA (Chicago Plenum) Approved for IC Rated Housings
Five (5) years limited warranty	CA Title 24-JA8 Compliant





ACROBAT 3" LED DOWNLIGHT SHALLOW PLENUM

PROJECT: _____
TYPE: _____
NOTE: _____

SPEC-00276 ACROBAT 2.0, 3" SP, V-1.3, UPDATED 10/14/2022

A3-SIC, A3-SNC

ORDER MATRIX

A3-SIC, A3-SNC

3" SHALLOW PLENUM NEW CONSTRUCTION HOUSING (EXAMPLE: A3-SIC-RST-02790-30-10S-SHB)

HOUSING BASE					
FAMILY APERTURE	INSTALLATION TYPE		TRIM SHAPE	TRIM STYLE	
A3- Acrobat 3"	SIC (Shallow Plenum New Construction, IC, CCEA)		-R (Round)	ST (Standard)	
	SNC (Shallow Plenum New Construction)		-S (Square)	TL (Trimless) WC (Wood Ceiling)	
CEILING	LED PERFORMANCE		OPTIC AND MEDIA		
CEILING THICKNESS	CCT	CRI	OPTIC	MEDIA 1	MEDIA 2
-0 (5/8" Ceiling Thickness)	27 (2700K)	90 (90 CRI)	-10 (10° Spot)	(blank) (None)	(blank) (None)
-1 (1 1/4" Ceiling Thickness)	30 (3000K)		-30 (30° Narrow Flood)	CL (Clear Lens)	CL (Clear Lens)
-2 (2" Ceiling Thickness)	35 (3500K)		-50 (50° Flood)	MP (Solite Lens)	MP (Solite Lens)
	40 (4000K)		-80 (80° Wide Flood)	FR (Frosted Lens)	FR (Frosted Lens)
	WD³ (1800K~3000K)			LS (Linear Spread Lens)	LS (Linear Spread Lens)
			HX¹ (Hex Louver)		
DRIVER ASSEMBLY					
WATTAGE	LED DIMMING DRIVER		HANGER BAR		
-10 (10 Watt)	S⁵ (Universal Dim Driver: 1%-100% 0-10V, TRIAC, ELV, 120V/277V)		-SHB (Standard)		
-15 (15 Watt)	L3⁴ (Lutron Dim Driver: 1%-100% EcoSystem, 120V/277V)		-C24 (24" C-Channel)		
-20 (20 Watt)	EL1 (EldoLED DALI Dim: 1%-100% DALI, 120V/277V)		-C48 (48" C-Channel)		
-25² (25 Watt)	EL2 (EldoLED Dim: 0.1%-100% 0-10V, 120V/277V)				
	DMX (DMX Dim: 1%-100% DMX, 120V/277V)				
	REMOTE LED DIMMING DRIVER				
	SR1⁵ (Remote Universal Dim: 1%-100% 0-10V, TRIAC, or ELV, 120V/277V)				

1. Cannot be used with a second media. 3. Media 1 lens required. For WD with 10°, 30°, 50° Optic use MP (Solite Lens). For WD with 80° Optic use FR (Frosted Lens).
2. 25 Watt option is only available for SNC configurations. 4. Ambient temperature rated for 25 C. 5. TRIAC, ELV dimming for 120V only.

3" SHALLOW PLENUM NEW CONSTRUCTION TRIM (EXAMPLE: A3-RSTWT-STWT-NL)

TRIM				REFLECTOR		
FAMILY APERTURE	TRIM SHAPE	TRIM STYLE	TRIM FINISH	REFLECTOR STYLE	REFLECTOR FINISH	REFLECTOR LENS
A3- Acrobat 3"	R (Round)	ST (Standard)	TL⁴ (Trimless/Wood Ceiling)	-ST² (Standard)	WT (White)	-NL (No Lens)
		TL (Trimless)	WT (White/)	-PH² (Pinhole)	BK (Black)	-CL (Clear)
	S (Square)	WC (Wood Ceiling)	BK (Black)	-SP² (Slot Pinhole)	CA³ (Clear Alzak)	-MP (Solite)
			CN (Champagne)	-WW (Wall Wash)	CN (Champagne)	-FR (Frosted)
			SA (Satin Aluminum)		SA (Satin Aluminum)	
		CC¹ (Custom Color)		CC¹ (Custom Color)		

1. Custom color only available for ST (Standard) Trim and ST (Standard), AL (Adjustable Lens) Reflectors only, contact CSL for details.
2. Wet Location rated when used with Additional Reflector Lenses.
3. CA (Clear Alzak) Finish only available for Round reflectors as ST (Standard) or AL (Adjustable Lens) styles. 4. Must be used with TL or WC trim style.

EMERGENCY OPTIONS

EM-1000 (25W Remote Inverter)	EM-1003 (35W Remote Inverter)	EM-1004 (50W Remote Inverter)
EM-1002 (10W Remote Inverter)	EM-1003-CA (35W Remote Inverter) Title 20	EM-1006 (25W Remote Inverter) Title 20



**ACROBAT 3" LED DOWNLIGHT
SHALLOW PLENUM**

PROJECT: _____

TYPE: _____

NOTE: _____

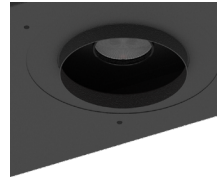
SPEC-00276 ACROBAT 2.0, 3" SP, V-1.3, UPDATED 10/14/2022

A3-SIC, A3-SNC

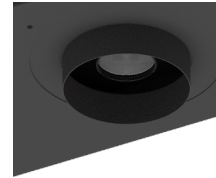
HOUSING AND LIGHT ENGINE LINE DRAWINGS

A3-SIC, A3-SNC
Shallow Plenum Housing

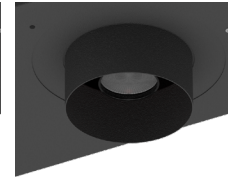
CEILING THICKNESS



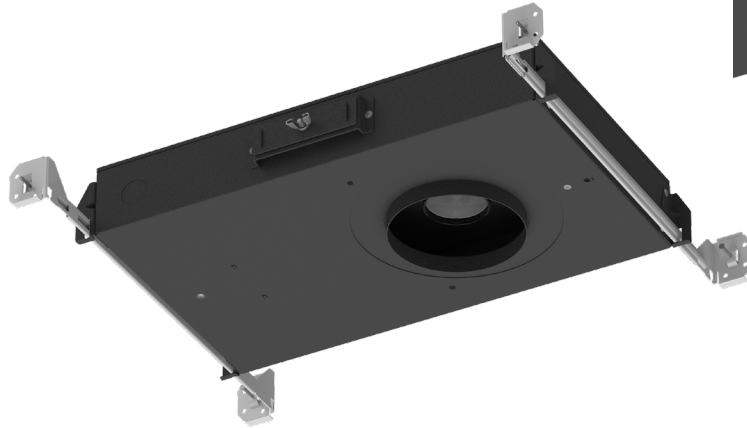
-0
5/8" Ceiling Thickness



-1
1 1/2" Ceiling Thickness



-2
2" Ceiling Thickness

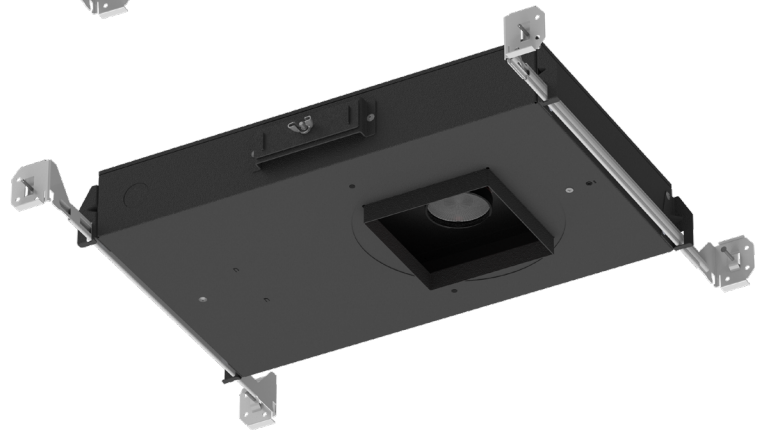


A3-SIC-R

Acrobat 3" - Shallow Plenum New Construction IC Housing - Round

A3-SNC-R

Acrobat 3" - Shallow Plenum New Construction Housing - Round

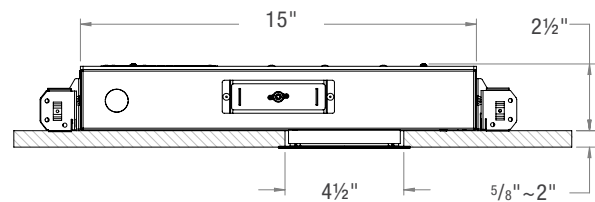
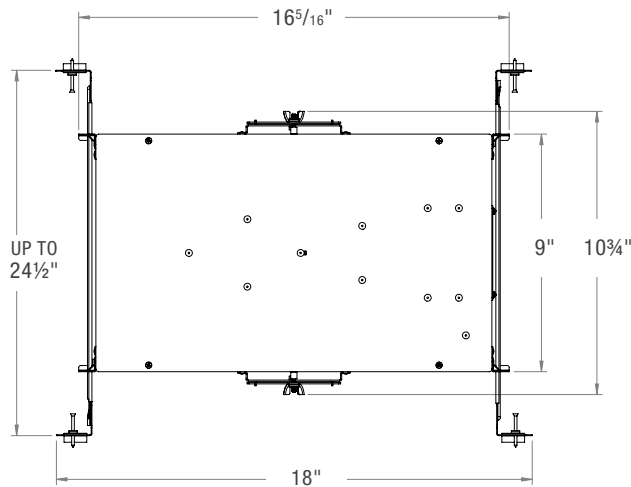


A3-SIC-S

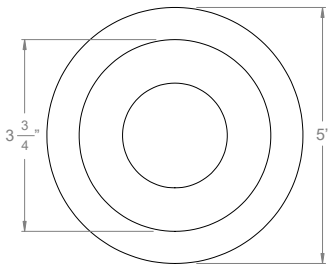
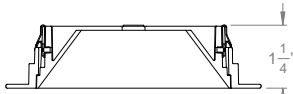
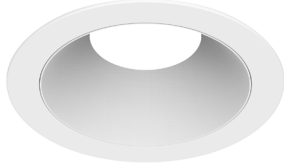
Acrobat 3" - Shallow Plenum New Construction IC Housing - Square

A3-SNC-S

Acrobat 3" - Shallow Plenum New Construction Housing - Square

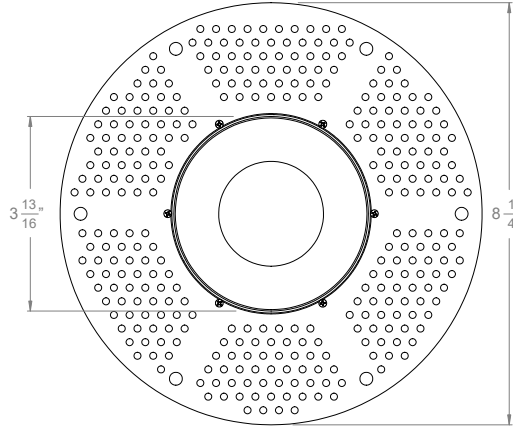
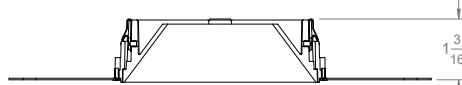
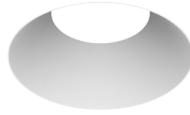


TRIM STYLES



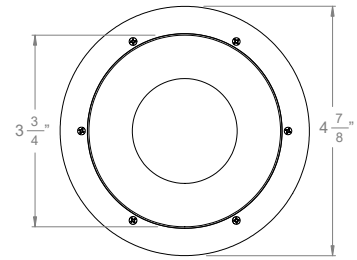
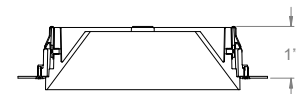
RST

3" Acrobat Round Standard Trim
(with Standard Reflector)



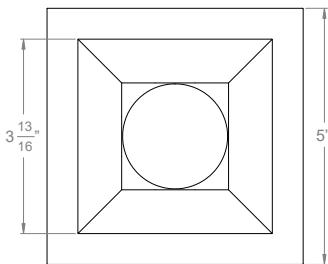
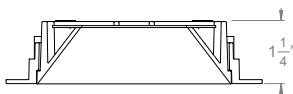
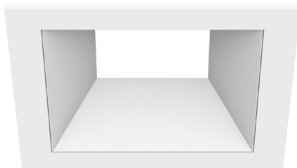
RTL

3" Acrobat Round Trimless Mud Plate
(with Standard Reflector)



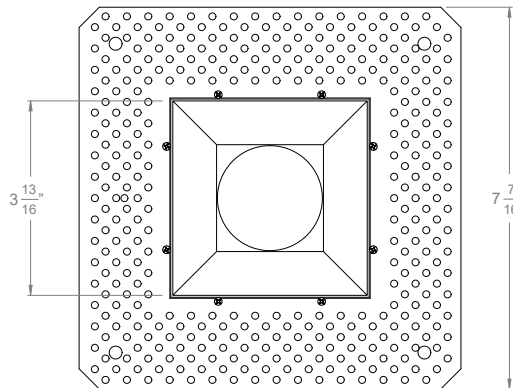
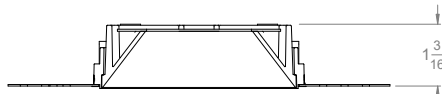
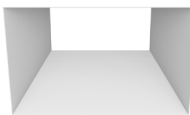
RWC

3" Acrobat Round Wood Ceiling Trim
(with Standard Reflector)



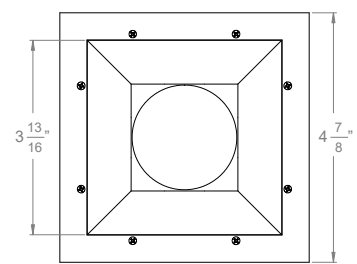
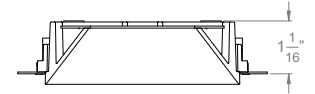
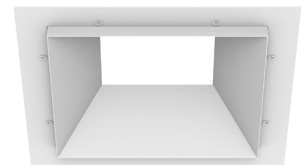
SST

3" Acrobat Square Standard Trim
(with Standard Reflector)



STL

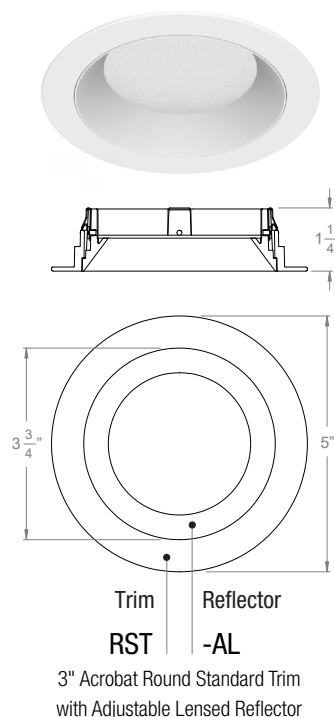
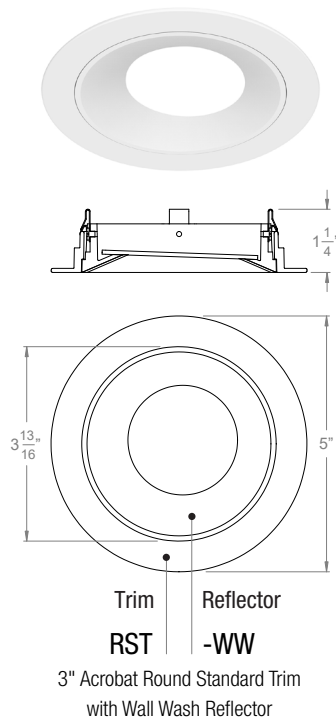
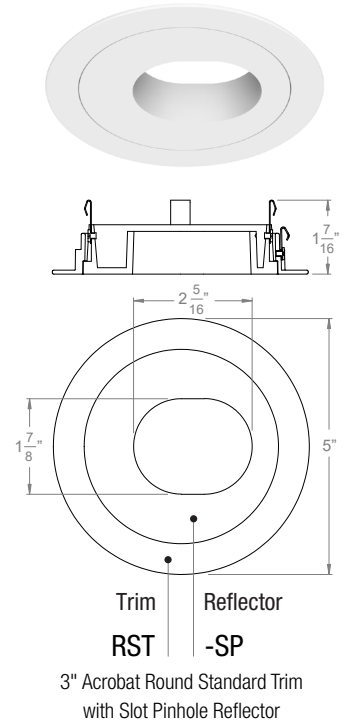
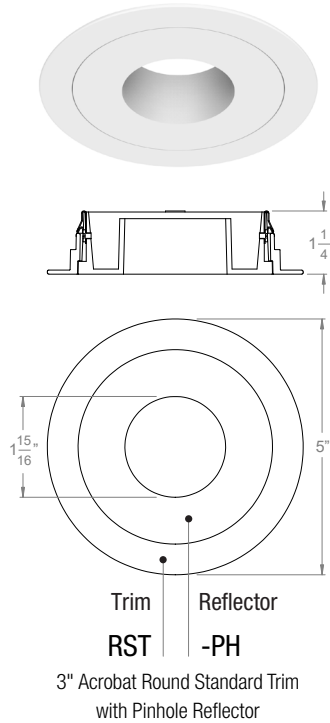
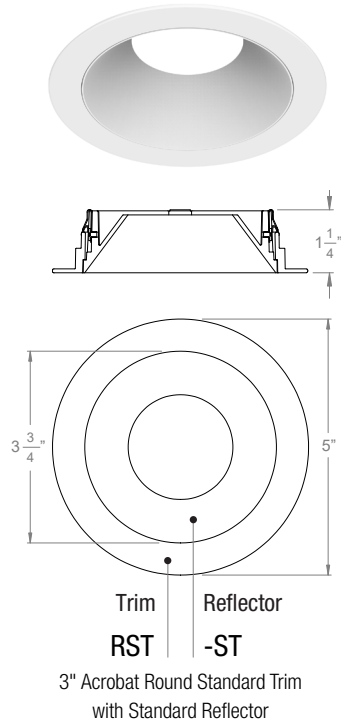
3" Acrobat Square Trimless Mud Plate
(with Standard Reflector)



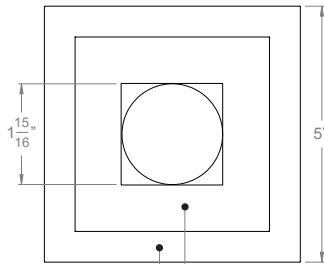
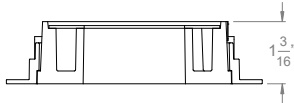
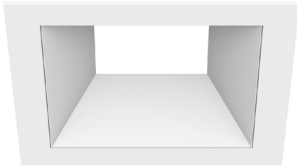
SWC

3" Acrobat Square Wood Ceiling Trim
(with Standard Reflector)

REFLECTOR STYLE (ROUND)

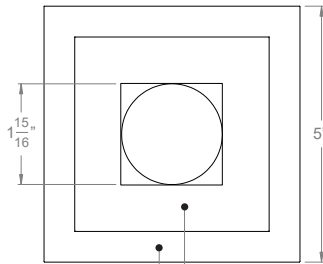
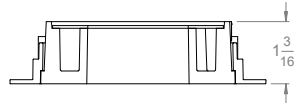
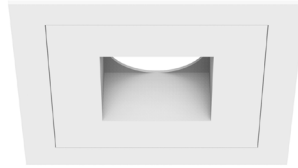


REFLECTOR STYLE (SQUARE)



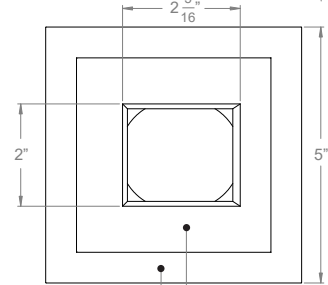
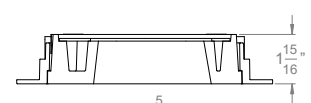
Trim Reflector
SST -ST

3" Acrobat Square Standard Trim
with Standard Reflector



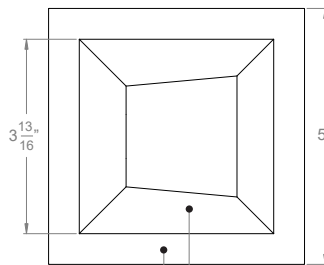
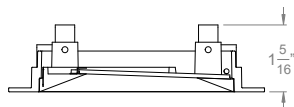
Trim Reflector
SST -PH

3" Acrobat Square Standard Trim
with Pinhole Reflector



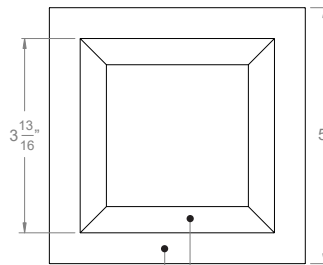
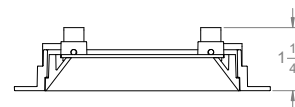
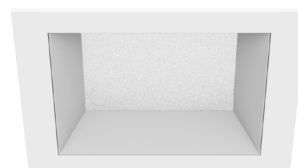
Trim Reflector
SST -SP

3" Acrobat Square Standard Trim
with Slot Pinhole Reflector



Trim Reflector
SST -WW

3" Acrobat Square Standard Trim
with Wall Wash Reflector



Trim Reflector
SST -AL

3" Acrobat Square Standard Trim
with Adjustable Lensed Reflector

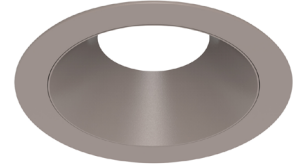
TRIM FINISHES



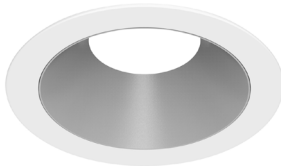
RSTWT-STWT
WT White Trim
WT White Reflector



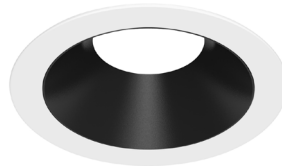
RSTBK-STBK
BK Black Trim
BK Black Reflector



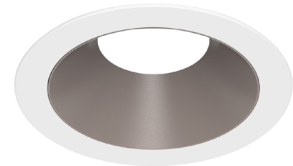
RSTCN-STCN
CN Champagne Trim
CN Champagne Reflector



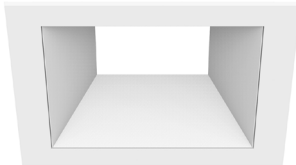
RSTWT-STSA
WT White Trim
SA Silver Reflector



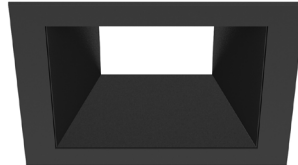
RSTWT-STBK
WT White Trim
BK Black Reflector



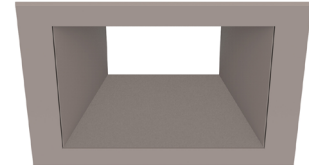
RSTWT-STCN
WT White Trim
CN Champagne Reflector



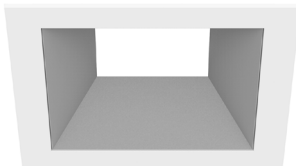
SSTWT-STWT
WT White Trim
WT White Reflector



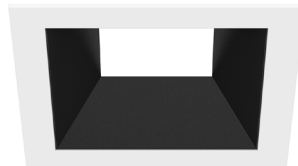
SSTBK-STBK
BK Black Trim
BK Black Reflector



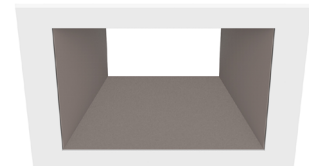
SSTCN-STCN
CN Champagne Trim
CN Champagne Reflector



SSTWT-STSA
WT White Trim
SA Silver Reflector



SSTWT-STBK
WT White Trim
BK Black Reflector



SSTWT-STCN
WT White Trim
CN Champagne Reflector



ACROBAT 3" LED DOWNLIGHT SHALLOW PLENUM

PROJECT: _____

TYPE: _____

NOTE: _____

SPEC-00276 ACROBAT 2.0, 3" SP, V-1.3, UPDATED 10/14/2022

A3-SIC, A3-SNC

DIMMING DRIVER COMPATIBILITY

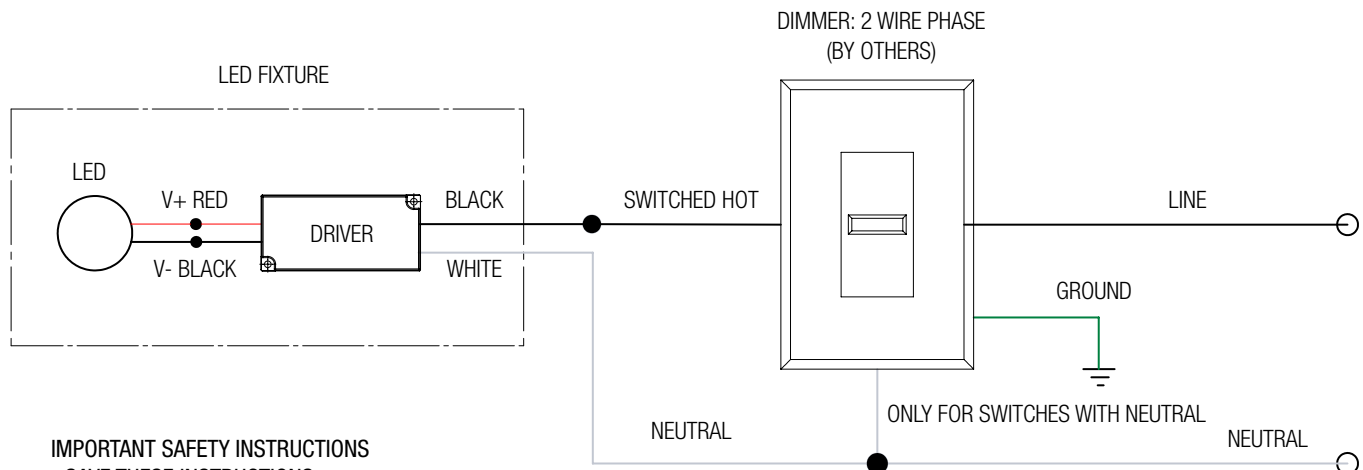
DIMMER LIST

"S" ERP PHASE-CUT DIMMERS			
Dimmer Information			
Manufacturer	Product	Manufacturer	Product
Cooper	DAL06P	Lightolier	ZP260QEW
	DLC03P	Lutron	CT103P
	SLC03P		DV600P
Leviton	6161		DVCL-153P
	6631-2		DVELV303P
	6633-P		FAELV500
	6673-10W		LG600P
	6683-IW		MAELV600
	IPE04		S600P
	IPI06-1LZ		S-603PG
	VPE06		SELV300P
			TG-600P
			TGCL-153P

NOTES:

Wiring diagrams are examples of typical installations intended to illustrate the number of wires that must be run to fixture. These diagrams are not intended to specify all equipment necessary for a given dimming circuit. Refer to specific dimmer manufacturer's documentation for details.

S- ERP DRIVER 2 WIRE PHASE DIMMING



**IMPORTANT SAFETY INSTRUCTIONS
- SAVE THESE INSTRUCTIONS**

1. Keep these instructions in a safe place for future reference.
2. Only qualified electricians in accordance to local codes should install these fixtures.
3. De-energize the electrical circuit at the circuit breaker prior to installation process or servicing.
4. Make sure all connections are in accordance with the National Electrical Code and any local regulations.
5. Cap any wires not used separately (not together).

DIMMING DRIVER COMPATIBILITY

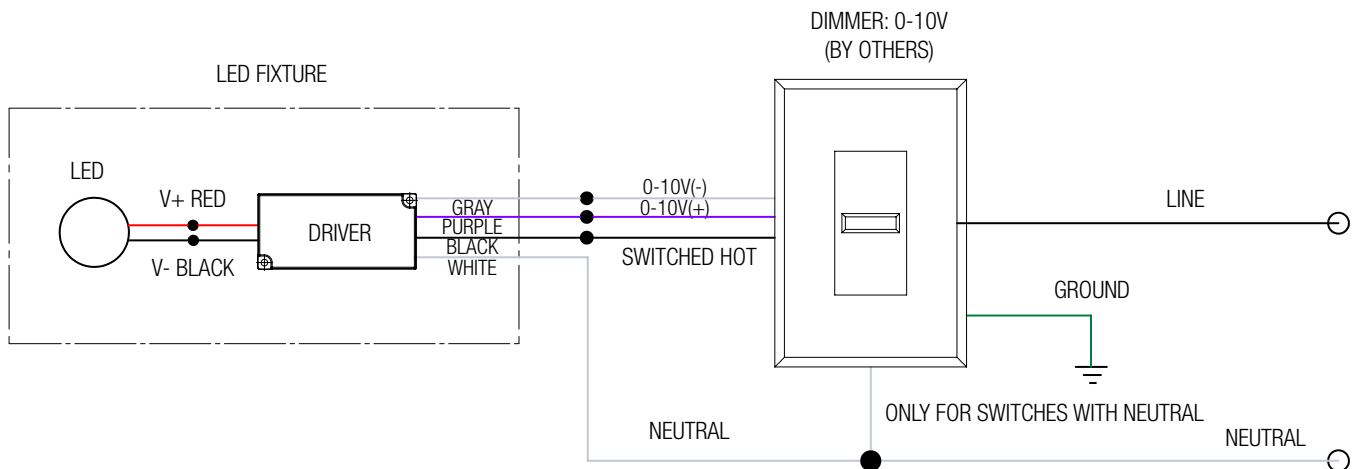
DIMMER LIST

"S" ERP 0-10V	
Dimmer Information	
Manufacturer	Product
Leviton	IP740-DLZ
Lightolier	ZP600FAM120
	V2000FAMU
Lutron	DVTV
	NTFTV
Crestron	CLS-EXP-DIMFLV
	DIN-4DIMFLV4
	DIN-A08
	GLX-DIMFLV8

NOTES:

Wiring diagrams are examples of typical installations intended to illustrate the number of wires that must be run to fixture. These diagrams are not intended to specify all equipment necessary for a given dimming circuit. Refer to specific dimmer manufacturer's documentation for details.

**S- ERP DRIVER
0-10V DIMMING**



IMPORTANT SAFETY INSTRUCTIONS

- SAVE THESE INSTRUCTIONS

1. Keep these instructions in a safe place for future reference.
2. Only qualified electricians in accordance to local codes should install these fixtures.
3. De-energize the electrical circuit at the circuit breaker prior to installation process or servicing.
4. Make sure all connections are in accordance with the National Electrical Code and any local regulations.
5. Cap any wires not used separately (not together).

DIMMING DRIVER COMPATIBILITY

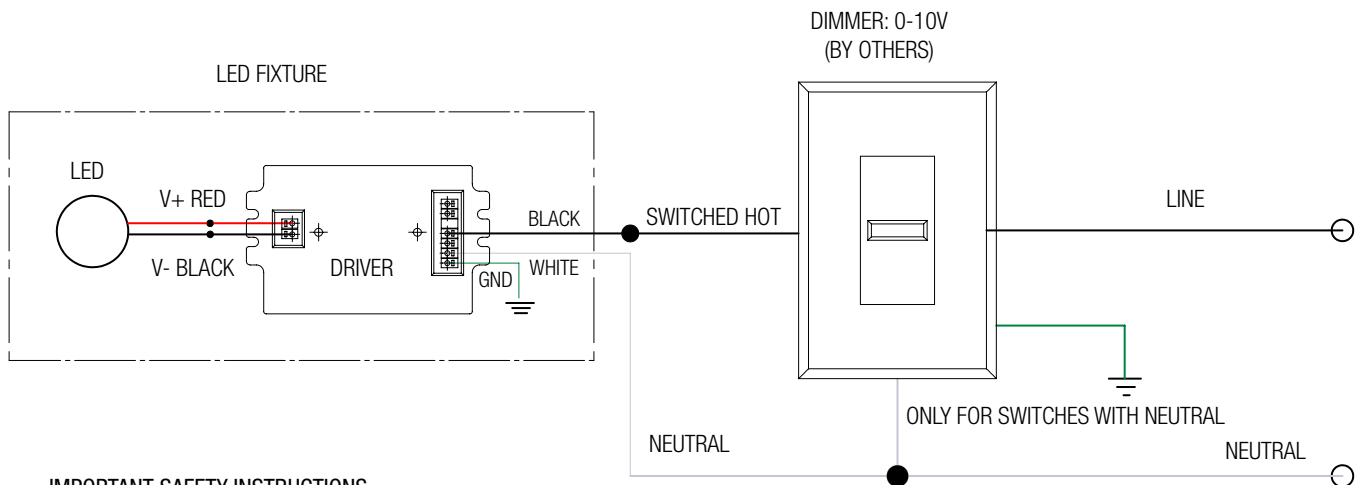
DIMMER LIST

"L1" Lutron Hi-lume 2-Wire	
Dimmer Information	
Manufacturer	Product
Leviton	IPE04
	IPI06-1LZ
	6633-P
Lutron	DVELV300P
	DVCL-153P
	S600P
Cooper	DAL06P
	DLC03P
	SLC03P

NOTES:

Wiring diagrams are examples of typical installations intended to illustrate the number of wires that must be run to fixture. These diagrams are not intended to specify all equipment necessary for a given dimming circuit. Refer to specific dimmer manufacturer's documentation for details.

**L1- LUTRON DRIVER
2-WIRE DIMMING**



IMPORTANT SAFETY INSTRUCTIONS

- SAVE THESE INSTRUCTIONS

1. Keep these instructions in a safe place for future reference.
2. Only qualified electricians in accordance to local codes should install these fixtures.
3. De-energize the electrical circuit at the circuit breaker prior to installation process or servicing.
4. Make sure all connections are in accordance with the National Electrical Code and any local regulations.
5. Cap any wires not used separately (not together).